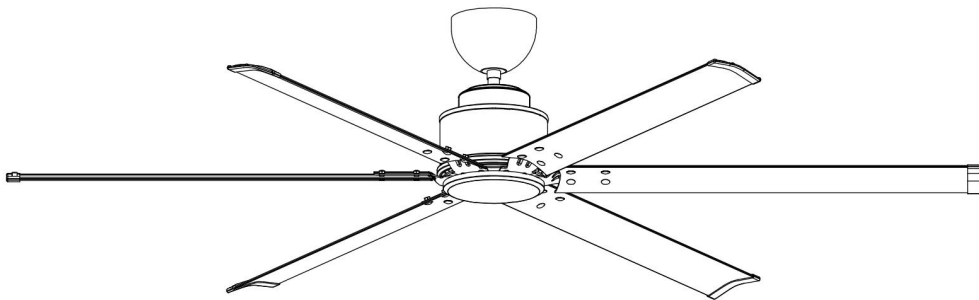


Sapphire[®]

DECORATIVE FANS . SINCE 1993

Instruction Manual



FM-6262-DC

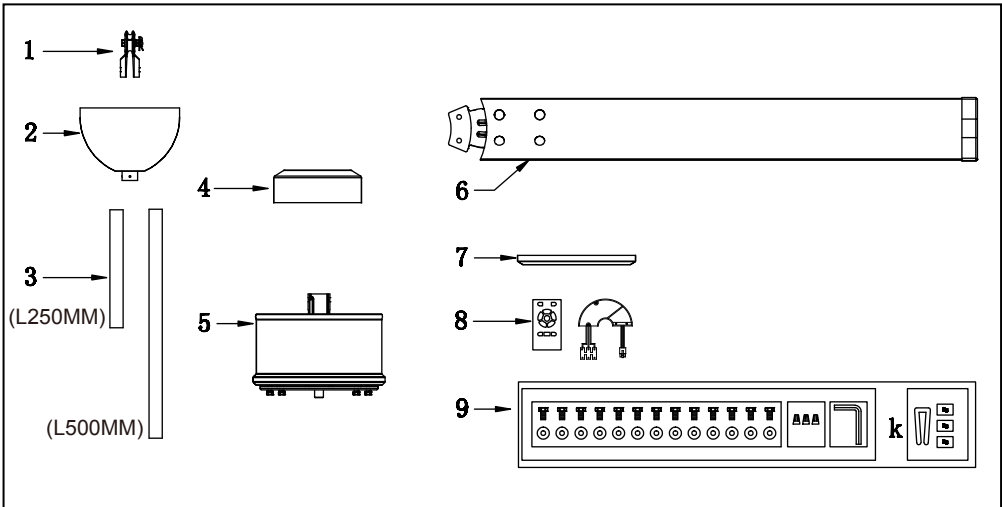
FM7272-DC

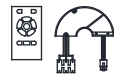
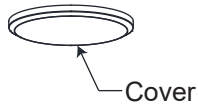
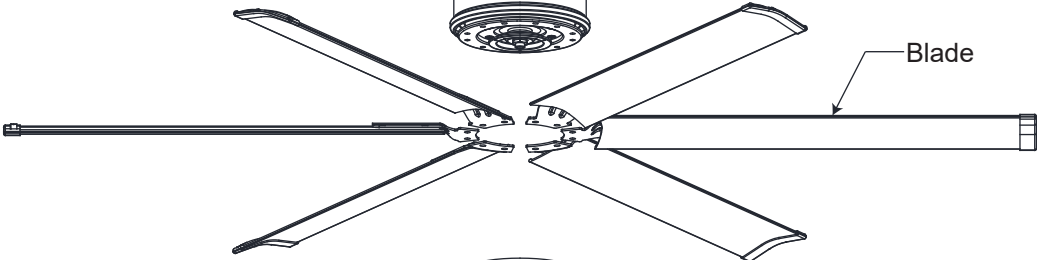
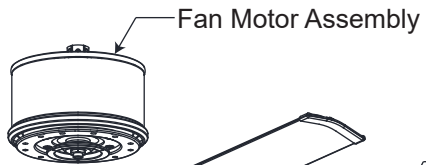
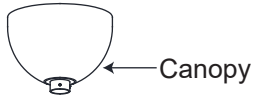
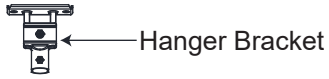
FM9688-DC

CEILING FAN

SUPPLIED PARTS

Ref.#	Description	Part#
1	Hanger Bracket	1
2	Canopy	1
3	Downrod	1
4	Coupling Cover	1
5	Fan Motor Assembly	1
6	Blade	6
7	Cover	1
8	Remote Control	1
9	Screw packs	1





Remote Control

WARNING

A) TO ENSURE YOUR PERSONAL SAFETY, PLEASE READ THROUGH THE INSTRUCTION MANUAL BEFORE OPERATING THE PRODUCT.

- 1) Do not bend the blade holders during installation, blades balancing or fan cleaning.
- 2) To prevent accidents, power switch must be OFF and electrical wiring must be disconnected before ceiling fan installation, dismantling, maintenance or cleaning.
- 3) Ceiling fan installation and electrical wiring must be done by qualified technician in accordance with all applicable codes and air conditioning engineers (ASHRAE) or the local qualified authorities.
- 4) Be cautious when drilling the wall to avoid damaging electrical wiring and other hidden parts.
- 5) Ceiling fan must be hooked on concrete ceiling. Do not install the ceiling fan on plaster ceiling or any types of drywall ceilings. During ceiling fan installation, all screws must be tightened at all allocated parts.

B) SAFETY GUIDELINES

- 1) Please do not install the ceiling fan at high humidity areas.
- 2) Distance between fan blades and ground must be at least 2.5 meter and above.
- 3) Do not touch the ceiling fan while it is operating.
- 4) For safety purposes, all electrical connections must conform to the national electrical safety codes and earth wire must be installed correctly (suitable for power supply of 240V/50Hz).
- 5) Do not modify the ceiling fan and only use the parts supplied to prevent injuries.
- 6) DO not attempt to repair the fan. Always return the defective fan to our authorized service agent.
- 7) This appliance is not intended for use by persons (including children) with reduced physical, sensory or mental capabilities, or lack of experience and knowledge, unless they have been given supervision or instruction concerning use of the appliance by a person responsible for their safety.
- 8) Children should be supervised to ensure that they do not play with the appliance.
- 9) The ceiling fan electrical wiring must be installed with means for disconnection incorporated in the fixed wiring provided and safety cable must be installed according to the steps in this manual.

INSTRUCTION PROCEDURES

STEP 1 (See Diagram 1)

1) Before installation, remove the rubber wheel and plastic plug from both sides of the hanging tube.

STEP 2 (See Diagram 2)

2) Loosen two set screws on the downrod support and then place the downrod into the downrod support.

Thread the electrical wires and the earth wire through the side hole of downrod.

Align the Clevis Pin holes in the Downrod with the holes in the Downrod Support. Be sure to push the straight leg of the Hairpin Clip through the hole near the end of the Clevis Pin until the curved portion of the Hairpin snaps around the Clevis Pin. Finally, re-tighten the two set screws.

Place the receiver of remote control on the top of motor housing.

Connect all the wires from ceiling and motor to the receiver (DIAGRAM 2).

DIAGRAM 1

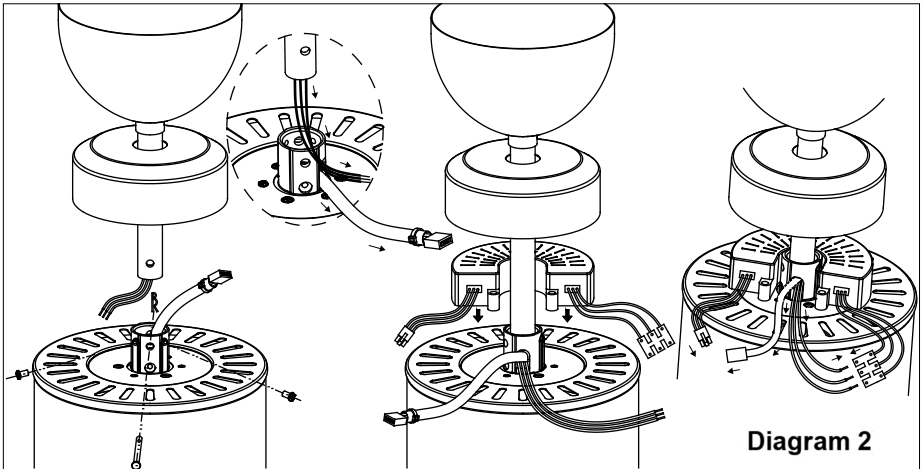
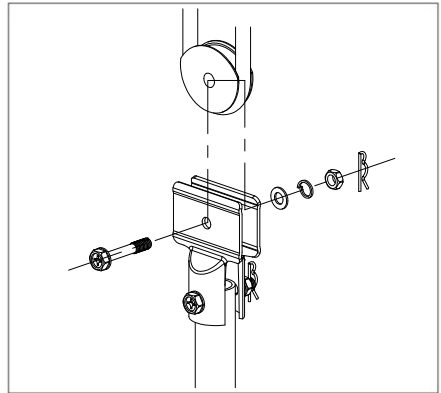


Diagram 2

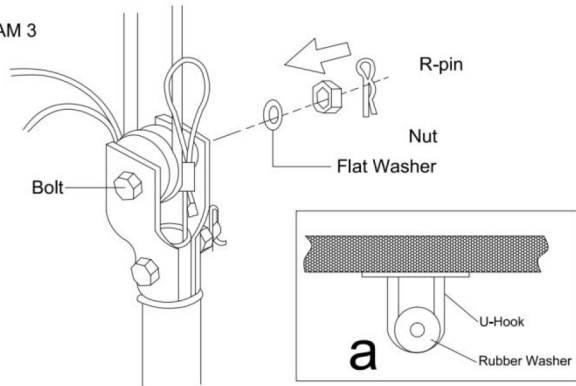
STEP 3 (See Diagram 3)

1) Hang the tuber wheel on the U-hook, (Fig-a)

2) Lift the motor until the bracket hole of the hanging tube aligns with the rubber wheel hole.

3) Tighten the hanging tube to the rubber wheel with the previously loosened bolt, washer, nut and R-pin.

DIAGRAM 3



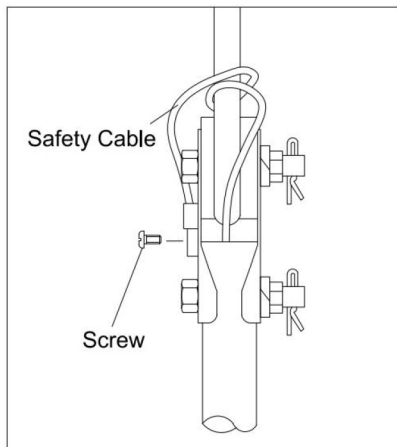
NOTE:

- 1, Remember to lock the pin after tightening bolt.
- 2, Hook must be installed on concrete ceiling.

WARNING:

Installation without proper procedures as above mentioned might result to fan loosening or falling.

STEP 4 (Safety Cable Installation)



- 1) Remove the safety cable screw from the hanging tube bracket.
- 2) Arrange the safety cable as above image labelled with 2.
- 3) Firmly screw the safety cable onto the hanging tube.

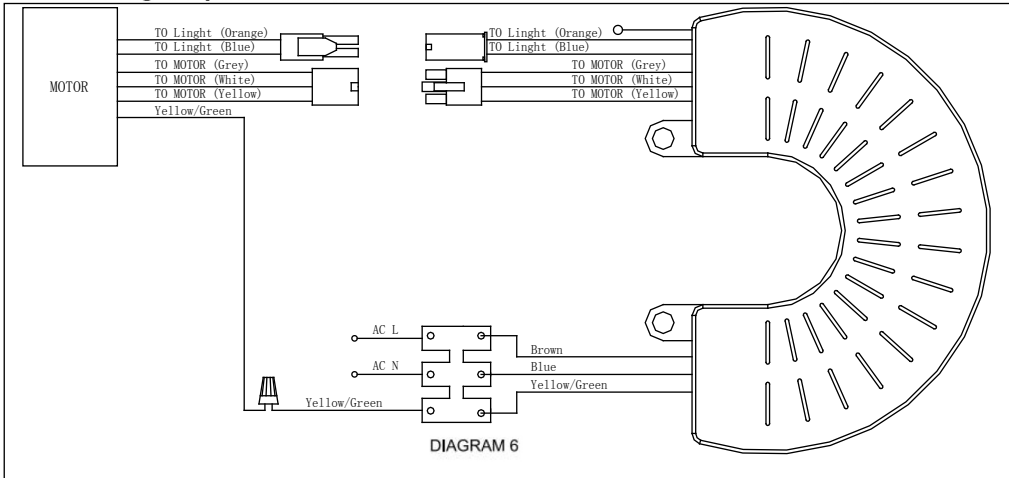
!WARNING:

Safety cable must be fixed correctly, May cause injury if ceiling fan drops.

STEP 5(Electrical Wiring Connection)

- 1) Befor installing the fan turn off the power supply.
- 2) With the two pieces of lead wires from the screw pack,connect the wire to the fan.
- 3) All electrical connections must be in accordance with local and national electrical code standards,If you are unfamiliar with proper electrical wiring connections obtain the services of a qualified electrician.

Refer wiring diagram below;



STEP 6 (See diagram 6)

1) Raise the top canopy and tighten it with the screw attached, Next, tighten the screw on the coupling coupling to the hanging tube.

WARNING:

Distance of coupling cover from the motor should be more than 5mm.

STEP 7 (Blade Installation)

1) Insert the blade screws through the flat washer and blade then secure the blade to the motor by tightening the screws.

2) Repeat this process to install all the other blades.

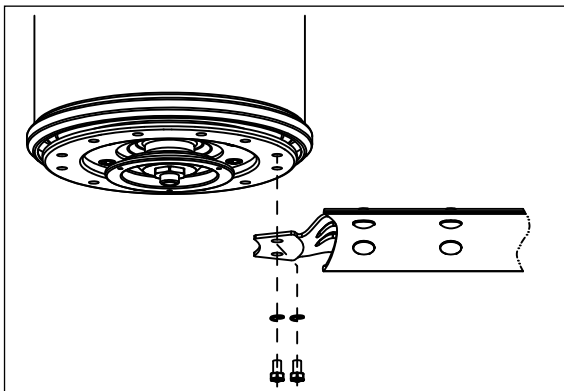
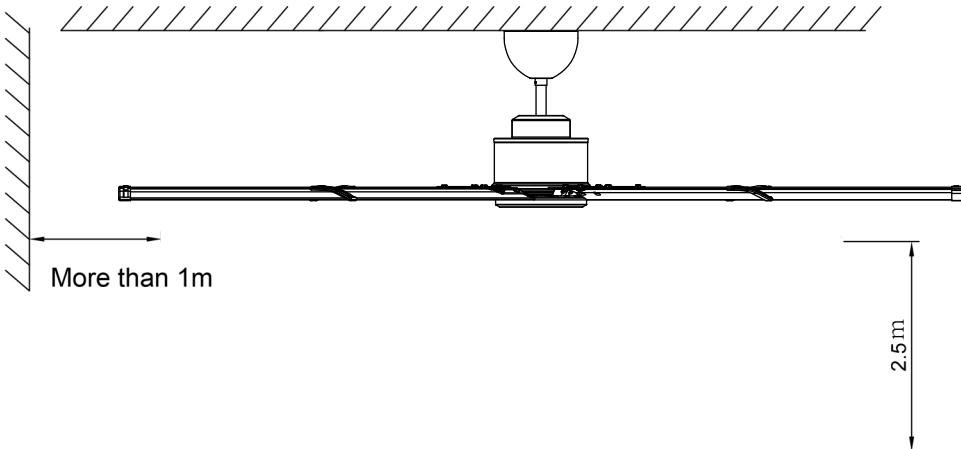


DIAGRAM 7

WARNING:

Ceiling fan must be mounted above 2.5m from the floor and 1m from the wall to the blades.



STEP 8 (See Diagram 8)

Carefully lift the bottom cover plate and attach to the bottom of the fan motor by twisting anti-clockwise to lock into place.

DIAGRAM 8

