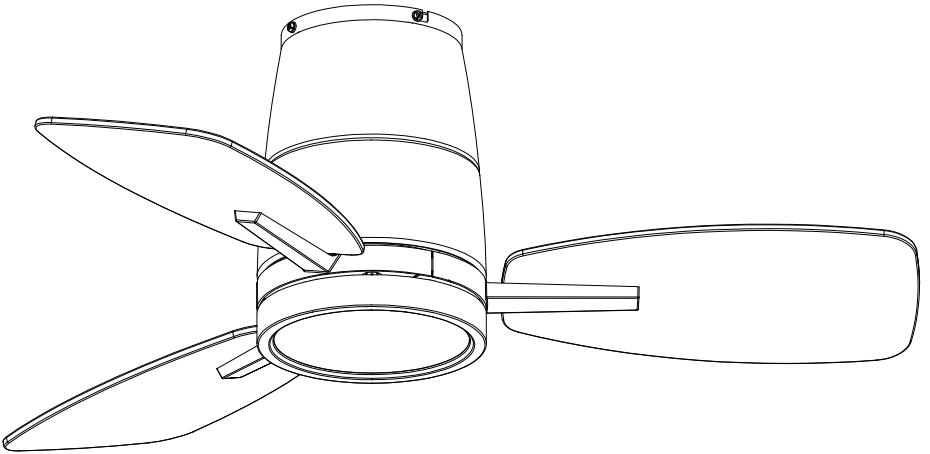


Sapphire[®]

DECORATIVE FANS . SINCE 1993

Instruction Manual

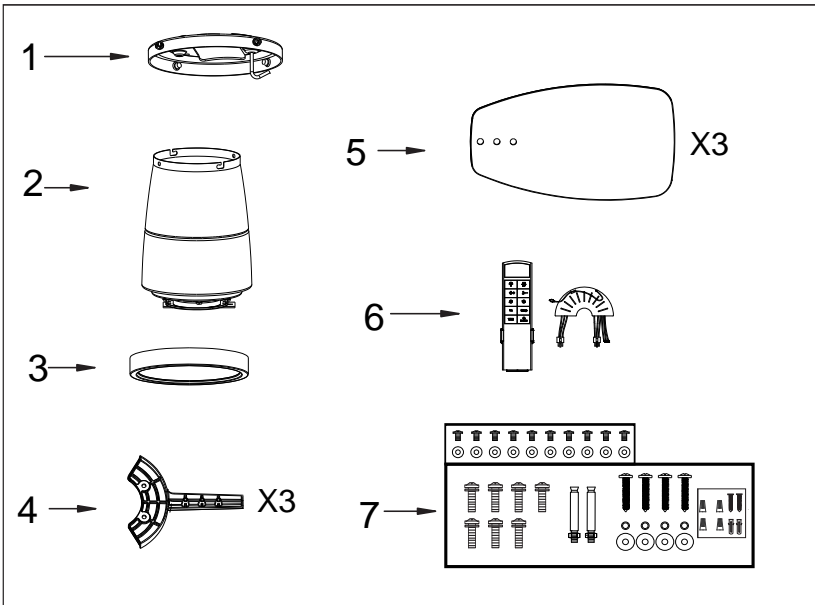


FM-3328S-DC

CEIKING FAN

SUPPLIED PARTS

Ref.#	Description	Part#
1	Hanger Bracket	1
2	Fan Motor Assembly	1
3	Lamp	1
4	Blade holder	1
5	Blade	3
6	Remote Control	1
7	Screw packs	1



WARNING

A) TO ENSURE YOUR PERSONAL SAFETY, PLEASE READ THROUGH THE INSTRUCTION MANUAL BEFORE OPERATING THE PRODUCT.

- 1) Do not bend the blade holders during installation, blades balancing or fan cleaning.
 - 2) To prevent accidents, power switch must be OFF and electrical wiring must be disconnected before ceiling fan installation, dismantling, maintenance or cleaning.
 - 3) Ceiling fan installation and electrical wiring must be done by qualified technician in accordance with all applicable codes and air conditioning engineers (ASHRAE) or the local qualified authorizes
 - 4) Be cautious when drilling the wall to avoid damaging electrical wiring and other hidden parts.
 - 5) Ceiling fan must be hooked on concrete ceiling. Do not install the ceiling fan on plaster ceiling or any types of drywall ceilings. During ceiling fan installation, all screws must be tightened at all allocated parts. Bolt Tightening torque is 800-1200n.cm
 - 6) The fixing means for attachment to the ceilings such as hooks or other devices shall be fixed with a sufficient strength to withstand 4 times the weight of the ceiling fan.
- Weight of FM-3328S-DC: 3.5 KG

B) SAFETY GUIDELINGS

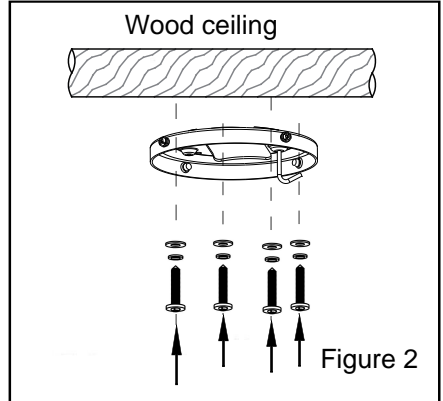
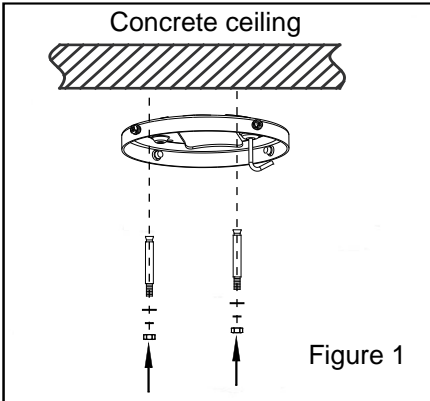
- 1) Please do not install the ceiling fan at high humidity areas.
- 2) Distance between fan blades and ground must be at least 2.5 meter and above.
- 3) Do not touch the ceiling fan while it is operating.
- 4) For safety purposes, all electrical connections must conform to the national electrical safety codes and earth wire must be installed correctly (suitable for power supply of 240V/50Hz).
- 5) Do not modify the ceiling fan and only use the parts supplied to prevent injuries.
- 6) DO not attempt to repair the fan. Always return the defective fan to our authored service agent
- 7) This appliance is not intended for use by persons (including children) with reduced physical, sensory or mental capabilities, or lack of experience and knowledge, unless they have been given supervision or instruction concerning use of the appliance by a person responsible for their safety.
- 8) Children should be supervised to ensure that they do not play with the appliance.
- 9) The ceiling fan electrical wiring must be installed with means for disconnection incorporated in the fixed wiring provided and safety cable must be installed according to the steps in this manual.

INSTRUCTION PROCEDURES

STEP 1 (See Diagram 1)

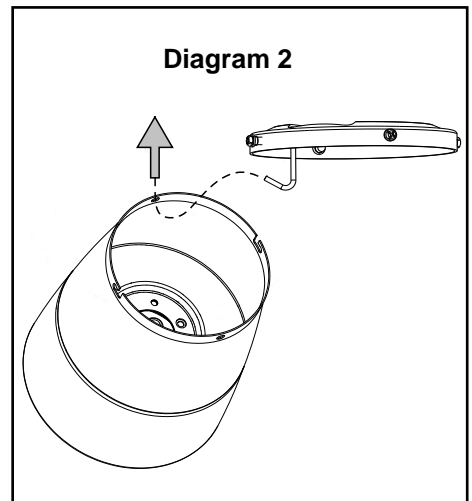
- 1) Figure 1 and Figure 2 are example guidelines for installing different types of ceiling joist

Diagram 1



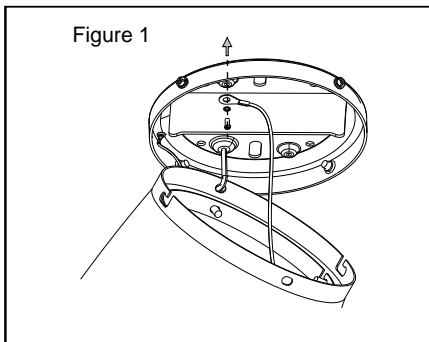
STEP 2 (See Diagram 2)

- 1) Fasten the fan motor assembly to the hanger bracket.

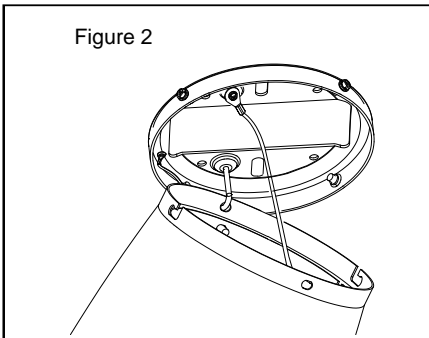


STEP 3 (See Diagram 3)

1) Loosen the screw and flat washer. (Figure 1)



2) Lock the safety cable and secure the screw and flat washer. (Figure 2)

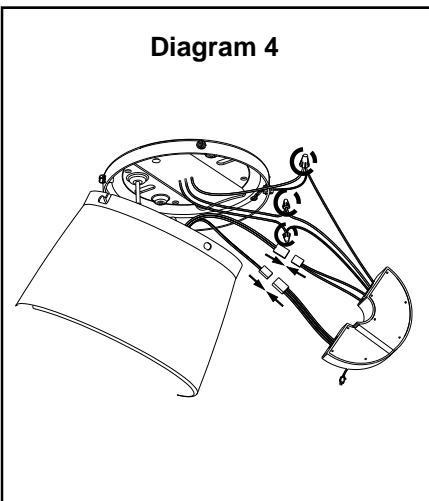


STEP 4 (See Diagram 4)

1) Match and connect controller wires to motor wires by color.

2) Connect black to L (live) and white to N (neutral) from the ceiling by color.

3) Connect all green ground wires (one from the hanger and one from the controller) to the ceiling's ground wire.



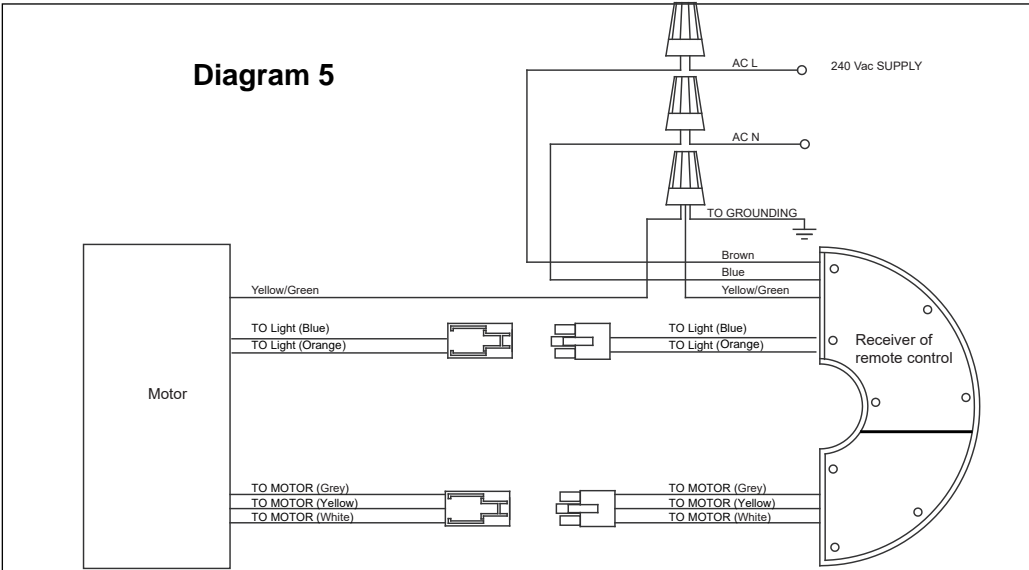
!WARNING:

Safety cable must be fixed correctly, May cause injury if ceiling fan drops.

STEP 5(Electrical Wiring Connection)

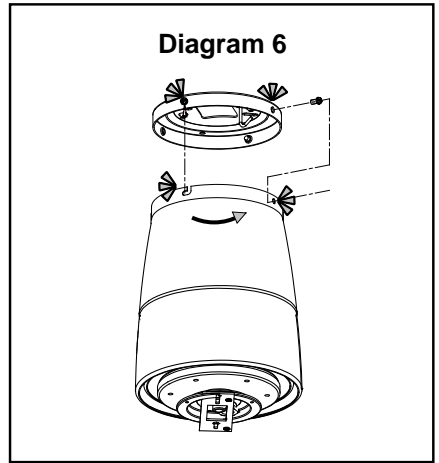
- 1) Before installing the fan turn off the power supply.
- 2) With the two pieces of lead wires from the screw pack,connect the wire to the fan.
- 3) All electrical connections must be in accordance with local and national electrical code standards,If you are unfamiliar with proper electrical wiring connections obtain the services of a qualified electrician.

Refer wiring diagram below;



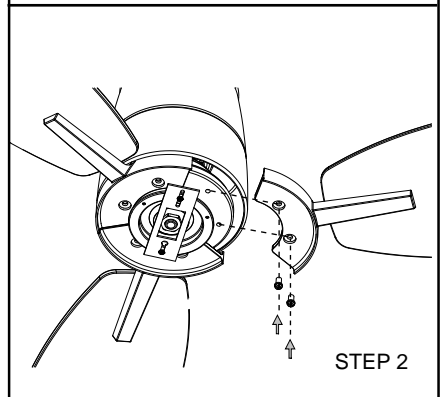
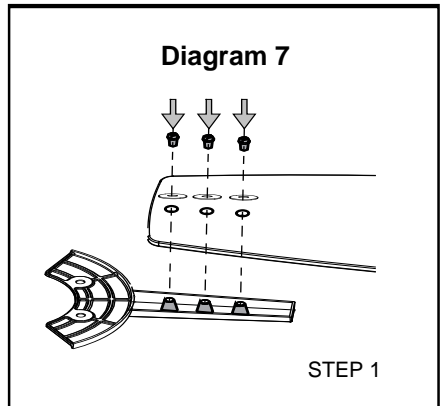
STEP 6 (See Diagram 6)

- 1) Position the motor cover onto the hanger bracket.
- 2) Rotate the motor cover clockwise until it locks into place



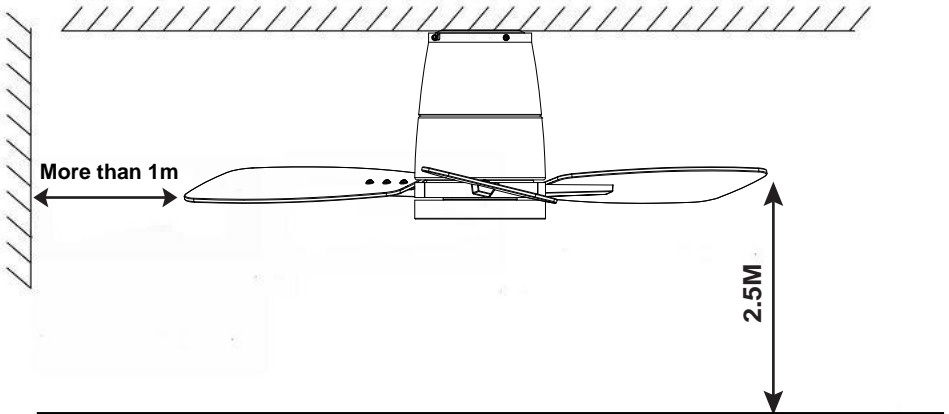
STEP 7 (See Diagram 7)

- 1) Fasten the fan blades to the screw holes on the bottom of the motor.



WARNING:

Ceiling fan must be mounted above 2.5m from the floor and 1m from the wall to the blades.



STEP 8 (See Diagram 8)

- 1) Connect the lamp wires to the motor wires by color.
- 2) Install the lamp to the motor base.

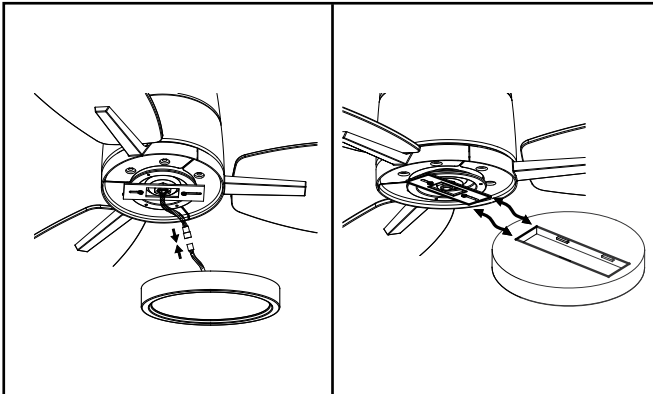


Diagram 8