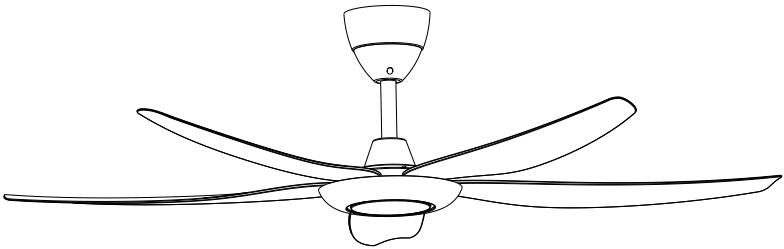


Sapphire[®]

INSTRUCTION MANUAL



MODEL

FM-X314S-DC

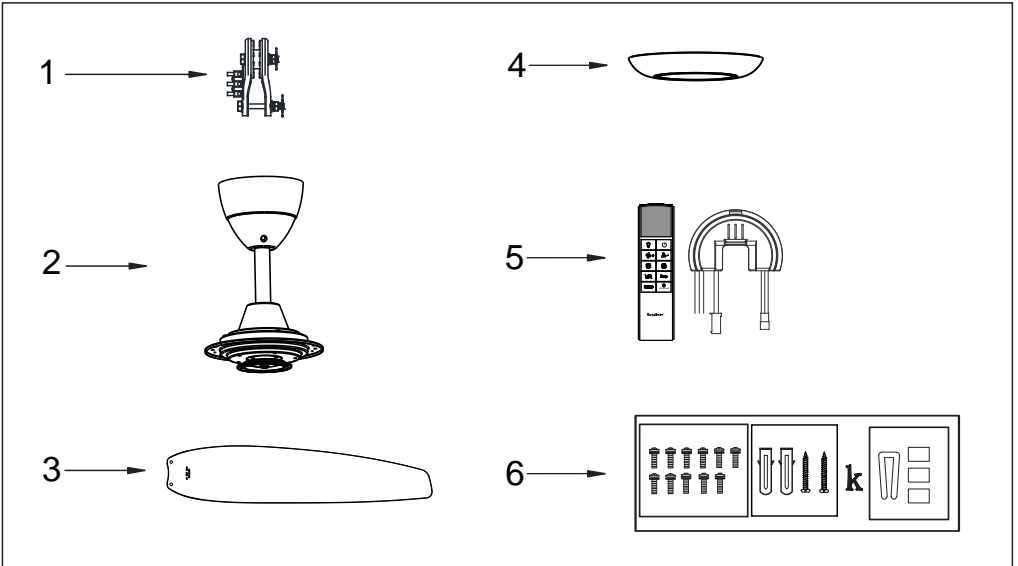
The Power of Wind



CEILING FAN

SUPPLIED PARTS

Ref.#	Description	Part#
1	Hanger Bracket	1
2	Fan Motor Assembly	1
3	Blade	5
4	Cover	1
5	Remote Control	1
6	Screw packs	1

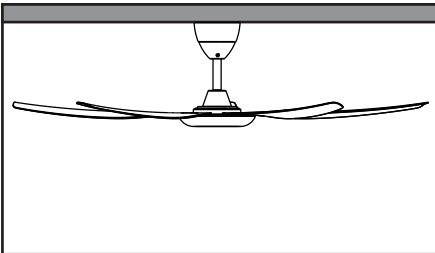


WARNING

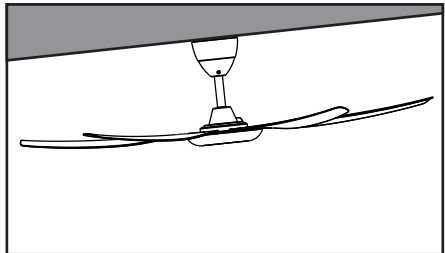
A) TO ENSURE YOUR PERSONAL SAFETY, PLEASE READ THROUGH THE INSTRUCTION MANUAL BEFORE OPERATING THE PRODUCT.

- 1) Do not bend the blade holders during installation, blades balancing or fan cleaning.
 - 2) To prevent accidents, power switch must be OFF and electrical wiring must be disconnected before ceiling fan installation, dismantling, maintenance or cleaning.
 - 3) Ceiling fan installation and electrical wiring must be done by qualified technician in accordance with all applicable codes and air conditioning engineers (ASHRAE) or the local qualified authorities.
 - 4) Be cautious when drilling the wall to avoid damaging electrical wiring and other hidden parts.
 - 5) Ceiling fan must be hooked on concrete ceiling. Do not install the ceiling fan on plaster ceiling or any types of drywall ceilings. During ceiling fan installation, all screws must be tightened at all allocated parts.
 - 6) Ensure the pre-assembled pipe to the motor has been fully tightened.
- (Bolt tightening torque is 800-1200 n.cm)
- 7) Proper installation: The fixing means for attachment to the ceiling such as hooks or other devices shall be fixed with a sufficient strength to withstand 4 times the weight of the ceiling fan.

Weight of FM-X314S-DC is 4.7kg



Proper installation



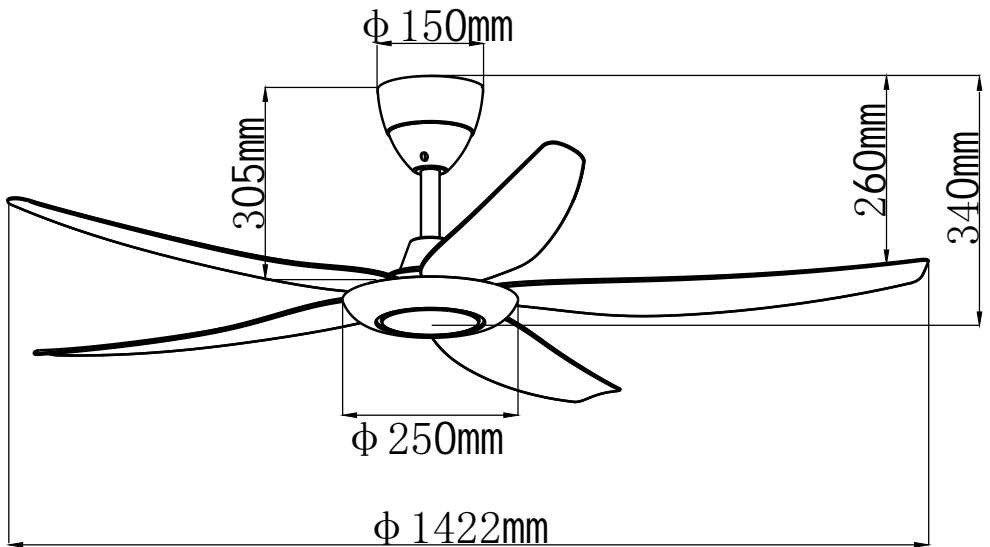
Error installing

WARNING

B) SAFETY GUIDELINGS

- 1) Please do not install the ceiling fan at high humidity areas.
- 2) Distance between fan blades and ground must be at least 2.5 meter and above.
- 3) Do not touch the ceiling fan while it is operating.
- 4) For safety purposes, all electrical connections must conform to the national electrical safety codes and earth wire must be installed correctly (suitable for power supply of 240V/50Hz).
- 5) Do not modify the ceiling fan and only use the parts supplied to prevent injuries.
- 6) DO not attempt to repair the fan. Always return the defective fan to our authored service agent
- 7) This appliance is not intended for use by persons (including children) with reduced physical, sensory or mental capabilities, or lack of experience and knowledge, unless they have been given supervision or instruction concerning use of the appliance by a person responsible for their safety.
- 8) Children should be supervised to ensure that they do not play with the appliance.
- 9) The ceiling fan electrical wiring must be installed with means for disconnection incorporated in the fixed wiring provided and safety cable must be installed according to the steps in this manual.
- 10) The replacement of parts of the safety suspension system device shall be performed by the manufacturer, its service agent or suitably qualified persons.
- 11) The mounting of the suspension system shall be performed by the manufacturer, its service agent or suitably qualified persons.
- 12) WARNING: If unusual oscillating movement is observed, immediately stop using the ceiling fan and contact the manufacturer, its service agent or suitably qualified persons.

●Product Dimension Diagram of FM-X314S-DC

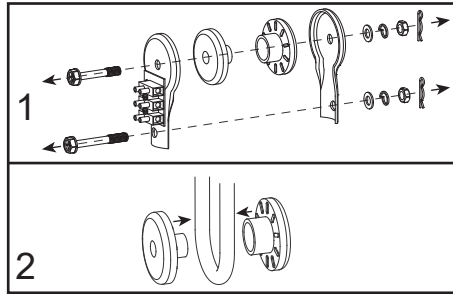
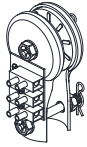


INSTRUCTION PROCEDURES

STEP 1 (See Diagram 1)

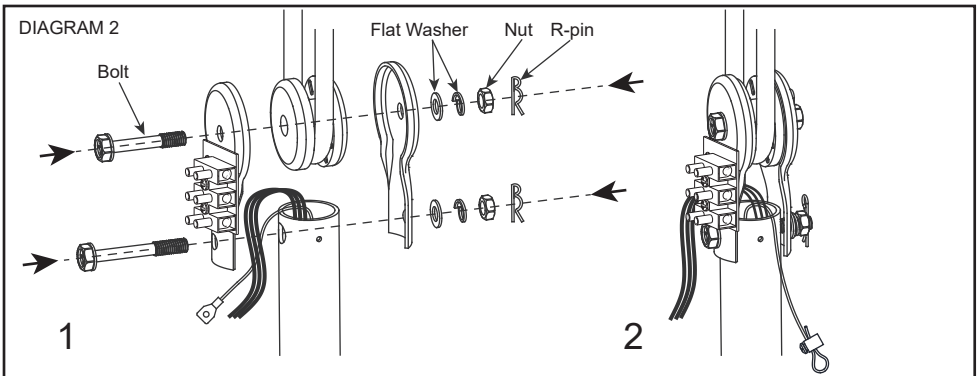
- 1) Before installation, Loosen the screws on the hanger bracket
- 2) Place the rubber wheel in the hook on the ceiling.

Diagram 1



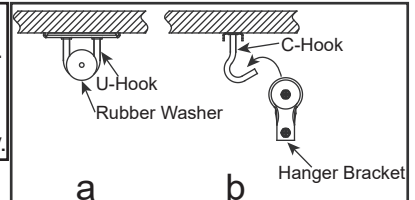
STEP 2 (See Diagram 2)

- 1) Hang the tuber wheel on the U-hook, (Fig-a)
- 2) Lift the motor until the bracket hole of the hanging tube aligns with the rubber wheel hole
- 3) Tighten the hanging tube to the rubber wheel with the previously loosened bolt, washer, nut and R-pin.



NOTE:

- 1, Remember to lock the pin after tightening bolt.
- 2, Hook must be installed on concrete ceiling
- 3, For C-hook (as shown in figure b), the fan can be hung directly on the C-hook after assembly.

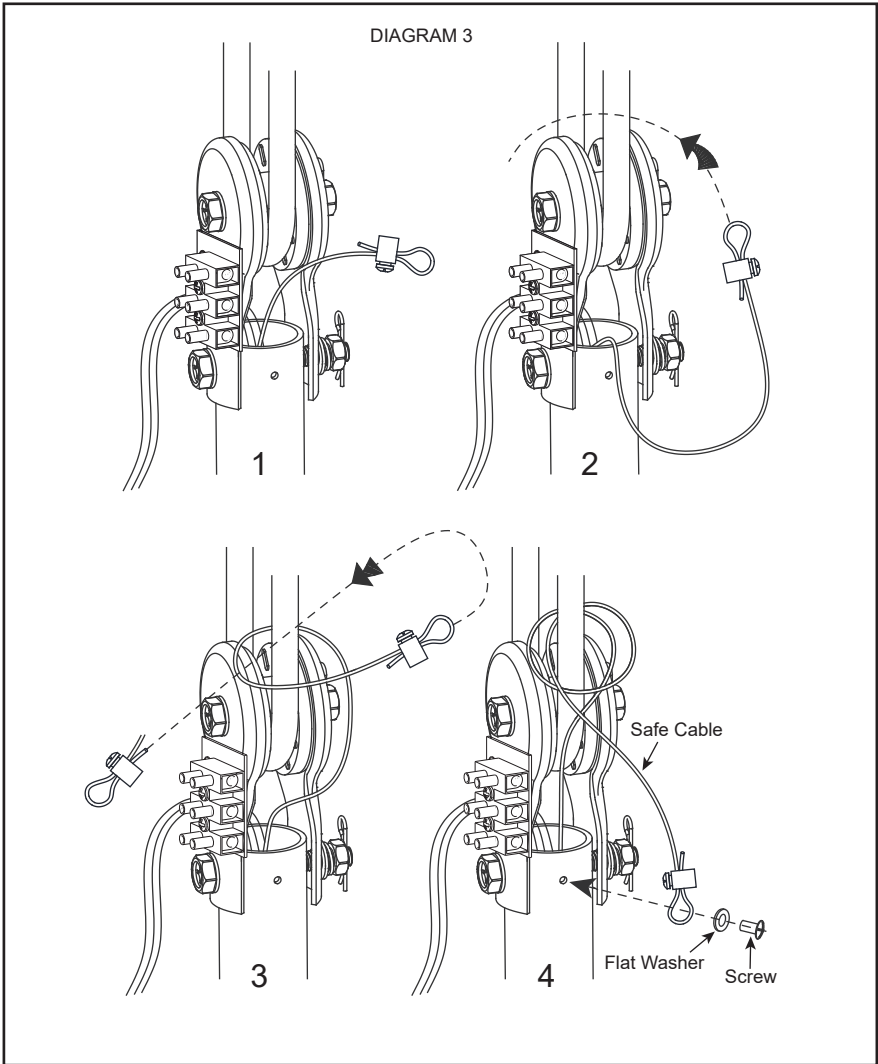


WARNING:

Installation without proper procedures as above mentioned might result to fan loosening or falling.

STEP 3 (Safety Cable Installation)

- 1) Remove the safety cable screw from the hanging tube bracket.
- 2) Arrange the safety cable as DIAGRAM 3
- 3) Firmly screw the safety cable onto the hanging tube.



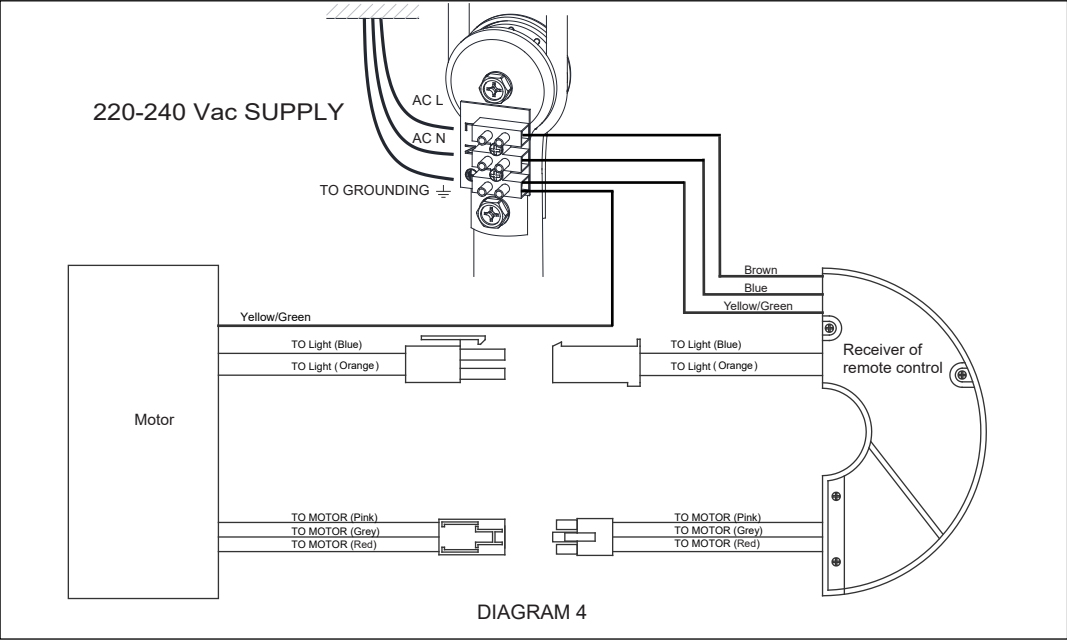
!WARNING:

Safety cable must be fixed correctly, May cause injury if ceiling fan drops.

STEP 4(Electrical Wiring Connection)

- 1) Before installing the fan turn off the power supply.
- 2) All electrical connections must be in accordance with local and national electrical code standards, If you are unfamiliar with proper electrical wiring connections obtain the services of a qualified electrician.

Refer wiring diagram below;



STEP 5

1) Raise the top canopy and tighten it with the screw attached, Next, tighten the screw on the coupling cover to the hanging tube.

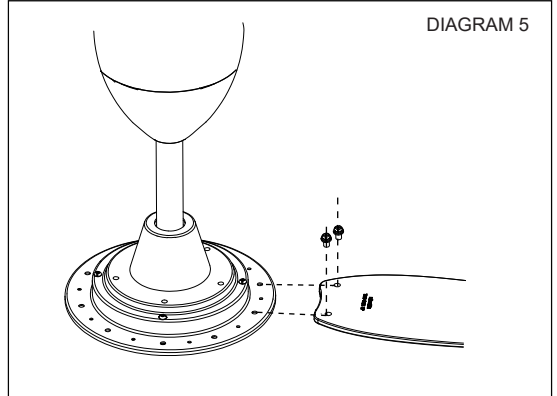
WARNING:

Distance of coupling cover from the motor should be more than 5mm.

STEP 6 (Blade Installation)

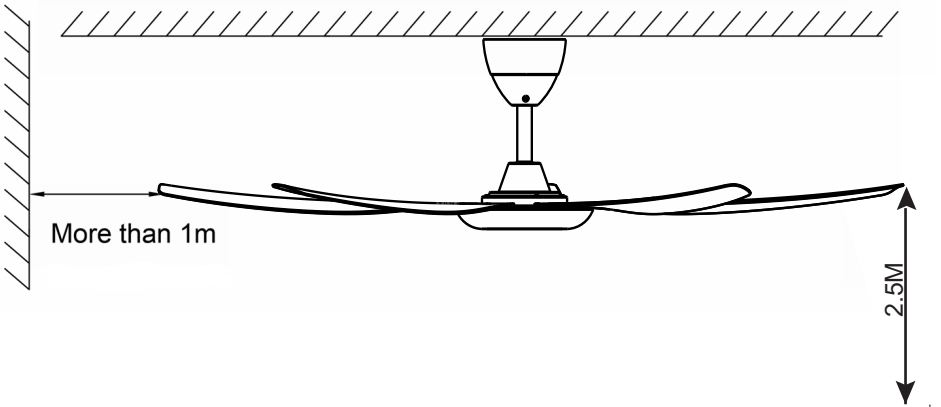
1) Insert the blade screws through blade then secure the blade to the motor by tightening the screws.

2) Repeat this process to install all the other blades.



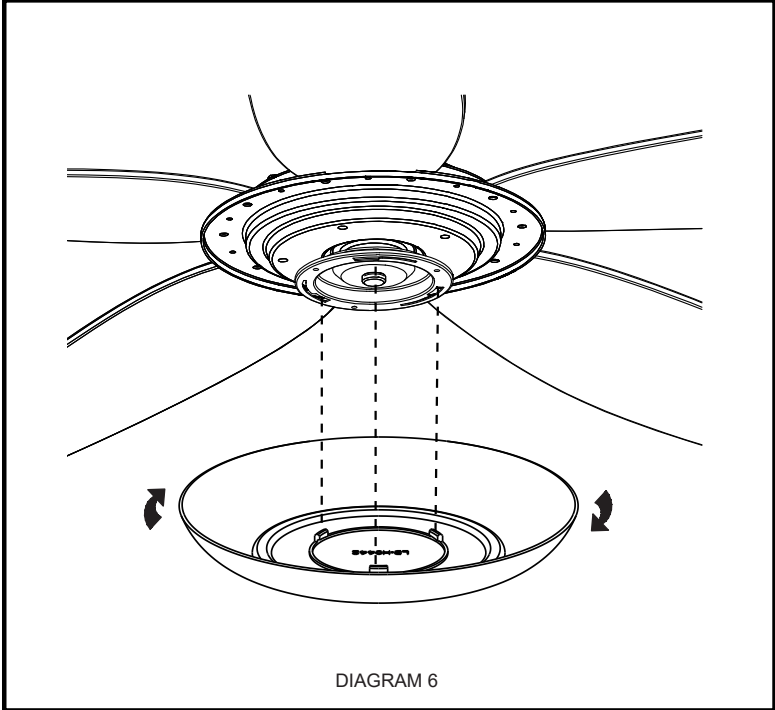
WARNING:

Ceiling fan must be mounted above 2.5m from the floor and 1m from the wall to the blades.



STEP 7 (Install the Cover)

Carefully lift the bottom cover plate and attach to the bottom of the fan motor by twisting clockwise to lock into place.



Sapphire[®]
Since 1993



翡翠扇苑有限公司 Fanmaster Sdn Bhd
200701027484 (785506-P)

No. 23, Lorong Perda Timur 6, Bandar Perda, 14000 Bkt. Mertajam, Penang, Malaysia.

Email: info@sapphirefan.com Web: www.sapphirefan.com Operating Hours: Monday - Friday : 8.30AM - 6.00PM

Customer Service Careline: **+6012-456 6988 / 017-221 3988**



[sapphirefan.official](https://www.facebook.com/sapphirefan)