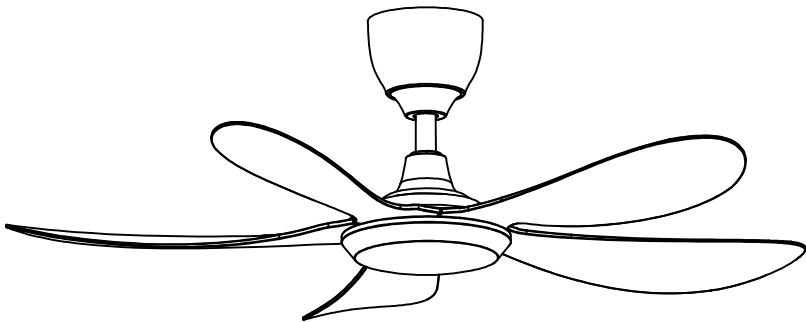


Sapphire®

DECORATIVE FANS . SINCE 1993

INSTRUCTION MANUAL

CEILING FANS



FM-3313S-DC

FM-4413S-DC

FM-9913S-DC

WARNING

A) TO ENSURE YOUR PERSONAL SAFETY, PLEASE READ THROUGH THE INSTRUCTION MANUAL BEFORE OPERATING THE PRODUCT.

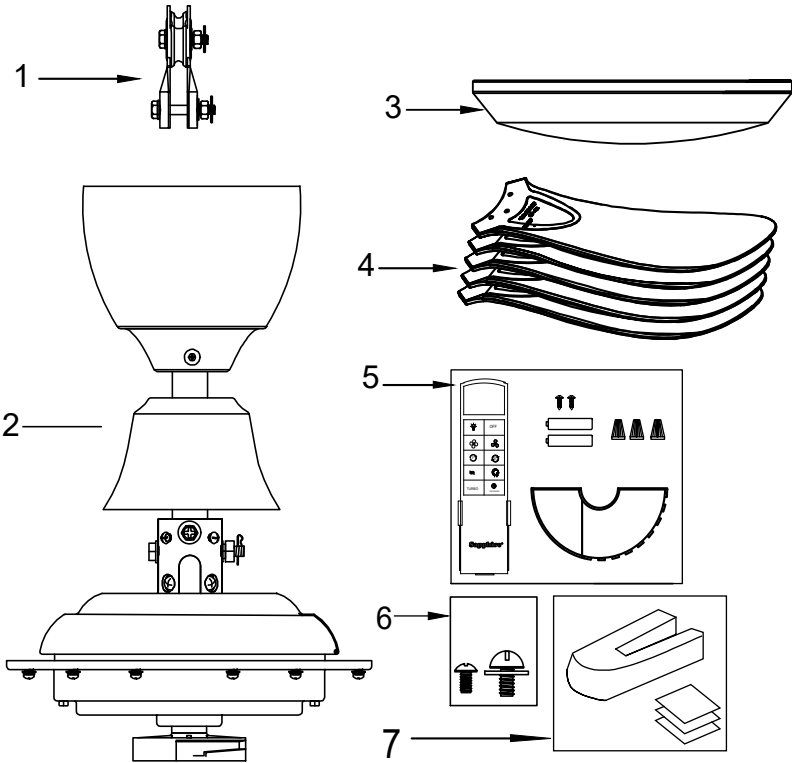
- 1) Do not bend the blade holders during installation, blades balancing or fan cleaning.
- 2) To prevent accidents, power switch must be OFF and electrical wiring must be disconnected before ceiling fan installation, dismantling, maintenance or cleaning.
- 3) Ceiling fan installation and electrical wiring must be done by qualified technician in accordance with all applicable codes and air conditioning engineers (ASHRAE) or the local qualified authorizes.
- 4) Be cautious when drilling the wall to avoid damaging electrical wiring and other hidden parts.
- 5) Ceiling fan must be hooked on concrete ceiling. Do not install the ceiling fan on plaster ceiling or any types of drywall ceilings. During ceiling fan installation. All screws must be tightened at all allocated parts. BOLT TIGHTENING TORQUE IS 800-1200N.CM
- 6) Proper installation: The fixing means for attachment to the ceiling such as hooks or other devices shall be fixed with a sufficient to withstand 4 times the weight of the ceiling fan.
(Weight of FM-3313S-DC is 4.9 kg, FM-4413S-DC is 5.4kg, FM-9913S-DC is 5.7kg.)

B) SAFETY GUIDELINGS

- 1) Please do not install the ceiling fan at high humidity areas.
- 2) Distance between fan blades and ground must be at least 2.5 meter and above.
- 3) Do not touch the ceiling fan while it is operating.
- 4) For safety purposes, all electrical connections must conform to the national electrical safety codes and earth wire must be installed correctly (suitable for power supply of 240V/50Hz).
- 5) Do not modify the ceiling fan and only use the parts supplied to prevent injuries.
- 6) DO not attempt to repair the fan. Always return the defective fan to our authorized service agent.
- 7) This appliance is not intended for use by persons (including children) with reduced physical, sensory or mental capabilities, or lack of experience and knowledge, unless they have been given supervision or instruction concerning use of the appliance by a person responsible for their safety.
- 8) Children should be supervised to ensure that they do not play with the appliance.
- 9) The ceiling fan electrical wiring must be installed with means for disconnection incorporated in the fixed wiring provided and safety cable must be installed according to the steps in this manual.

SUPPLIED PARTS

Ref.#	Description	Part#
1	Hanger Bracket	1
2	Fan Motor Assembly	1
3	No Light Kit Cover	1
4	Blade	5
5	Remote Control	1
6	Accessories Bag(Screw x 2)	1
7	Blade Balance Kit	1



INSTRUCTION PROCEDURES

STEP 1 (Hanging The Fan)

- 1) Loosen two set screws on the coupling.
- 2) Attach the downrod assembly and the motor assembly together by the two safety bolt. (Diagram 1 a)
- 3) Hang the tuber wheel on the U-hook. Lift the motor until the bracket hole of the hanging tube aligns with the rubber wheelhole. Tighten the hanging tube to the rubber wheel with the previously loosen bolt, washer, spring hoot, nut, and R-pin.(Diagram 1 b)

DIAGRAM 1 a

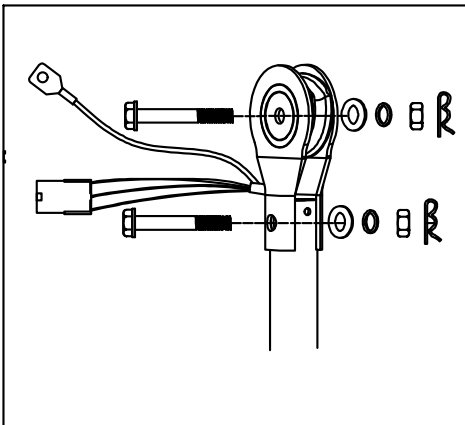
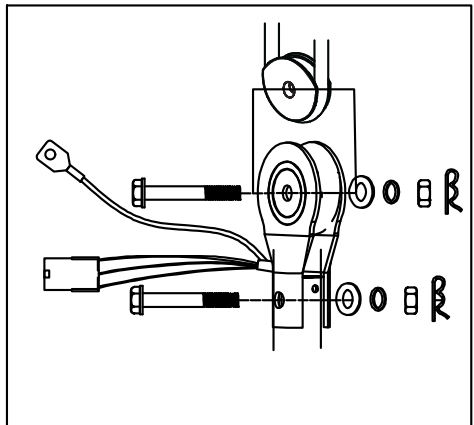


DIAGRAM 1 b



NOTE:

- 1,Remember to lock the R-pin after tightening bolt.
- 2,Hook must be installed on concrete ceiling

WARNING:

Installation without proper procedures as above mentioned might result to fan loosening or falling.

STEP 2 (Safety Cable Installation)

- 1) Remove the safety cable screw from downrod. (Diagram 2 a)
- 2) Arrange the safety cable as above image labelled with Diagram 2 b.
- 3) Firmly screw the safety cable onto the downrod.

DIAGRAM 2 a

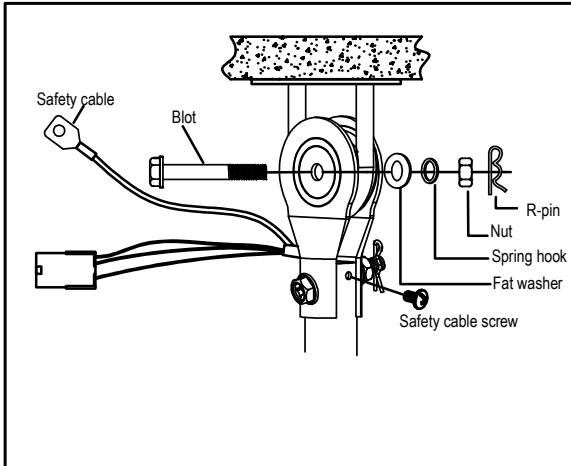
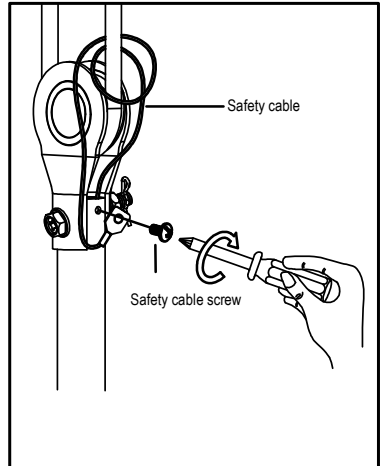


DIAGRAM 2 b



! WARNING:

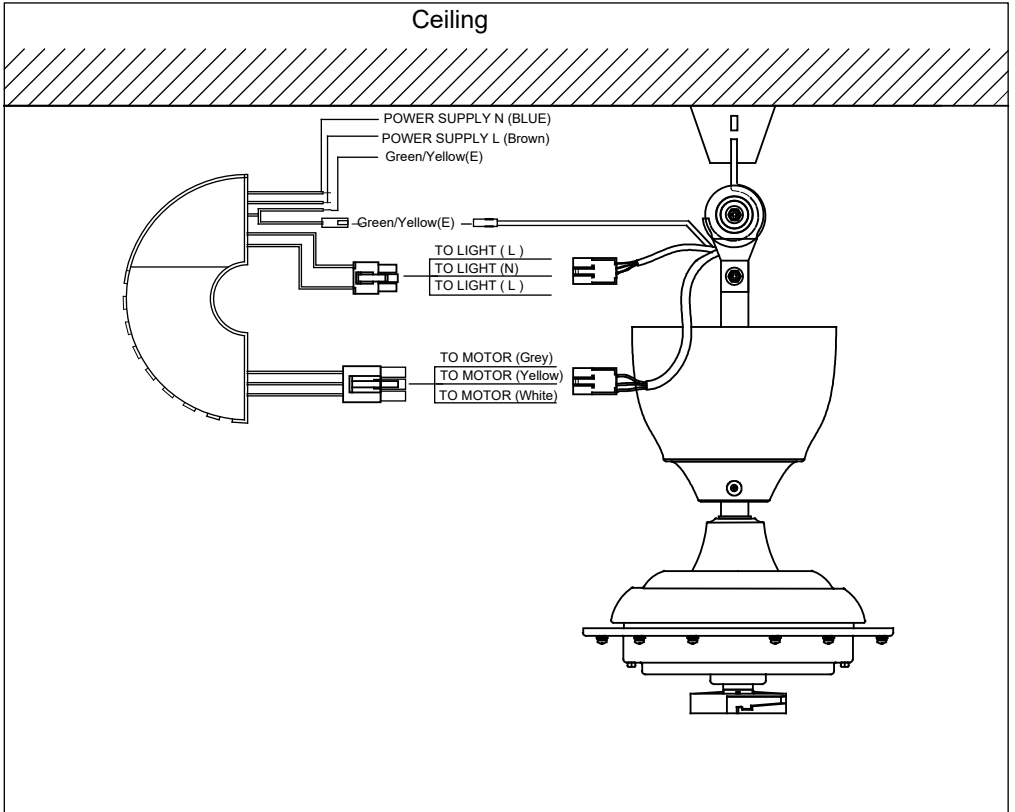
Safety cable must be fixed correctly, may cause injury if ceiling fan drops.

STEP 3 (Electrical Wiring Connection)

- 1) Before installing the fan turn off the power supply.
- 2) Connect the wire nuts from the fan to the receiver.
- 3) All electrical connections must be in accordance with local and national electrical code standards, if you are unfamiliar with proper electrical wiring connections obtain the services of a qualified electrician. (Diagram 3)

Refer wiring diagram below

DIAGRAM 3



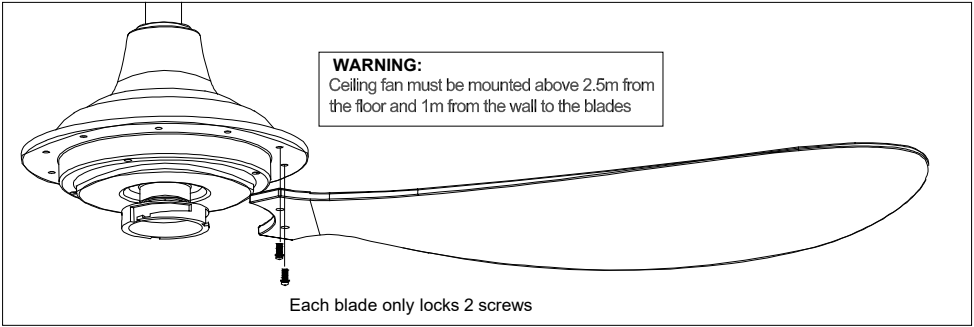
STEP 4 (Blade installation)

- 1) Attach the fan blade to the fan motor assembly by using the Blade arm screw. (Diagram 4)
- 2) Attach the other five blades to the motor. (Diagram 4)
- 3) Each blades assembly locks 2 screws.
- 4) Tighten ten screws securely.



! WARNING: Remove the rubber motor stops on the bottom of the fan before installing the lades or testing the motor.

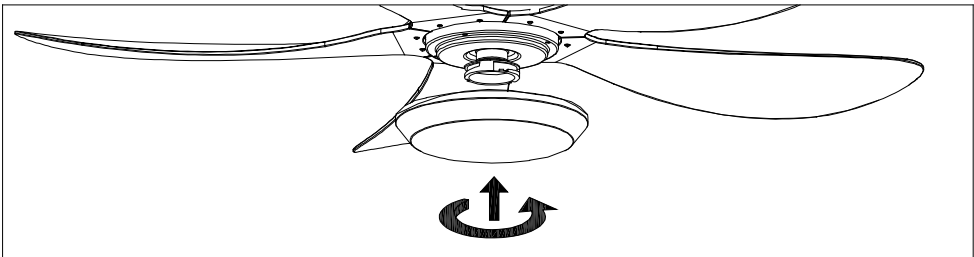
DIAGRAM 4



STEP 5

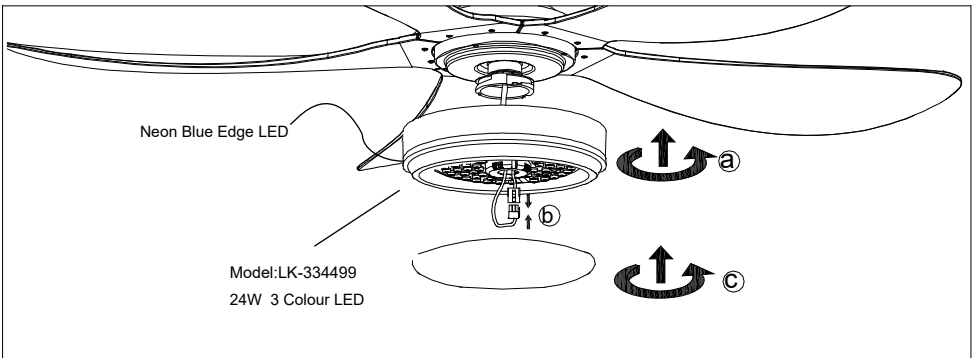
1. Install the No Light kit cover as shown in Diagram 5.

DIAGRAM 5

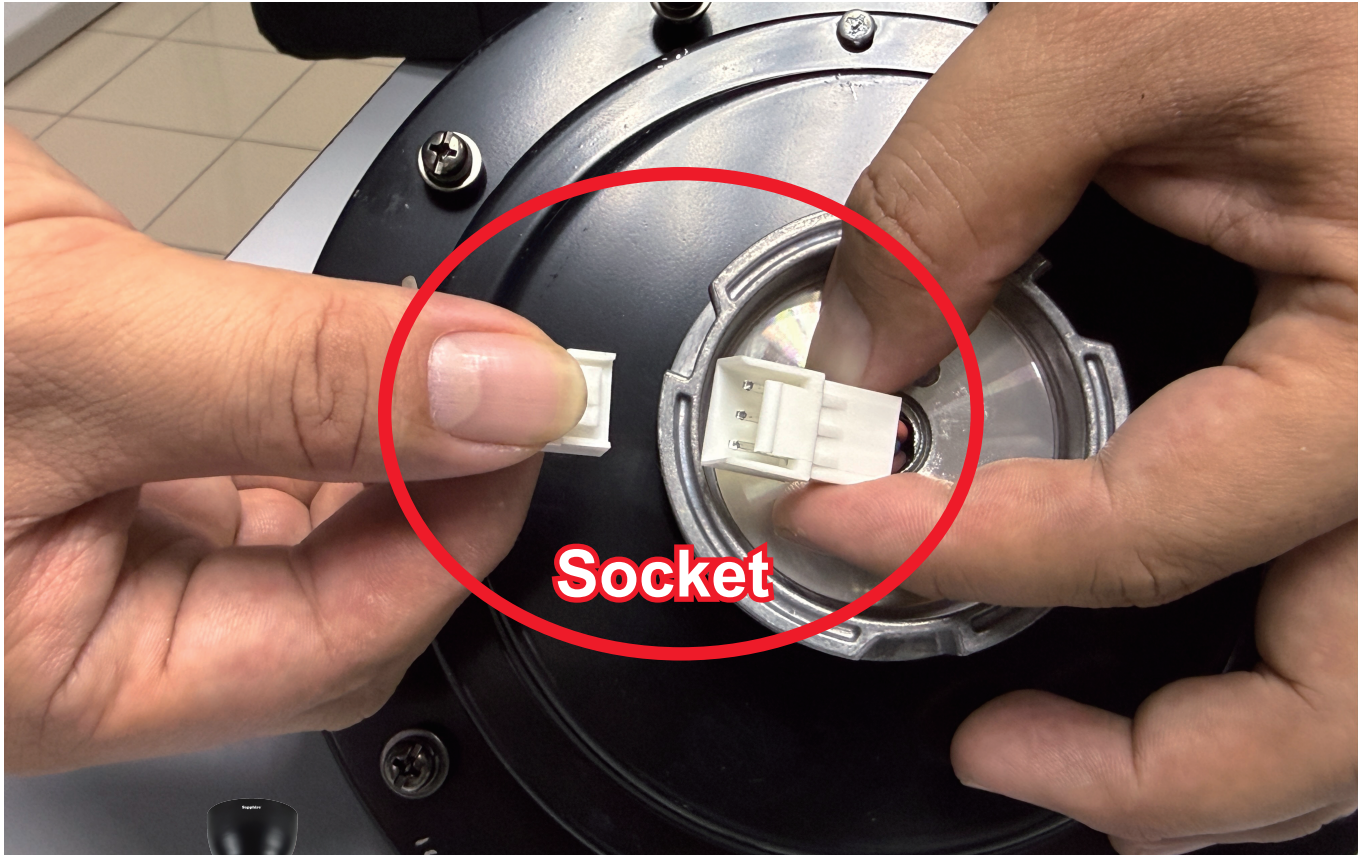


2. Install the Light kit. as shown in step a.b.c(Diagram 6).(LIGHT KIT SOLD SEPARATELY, Model:LK-334499)

DIAGRAM 6



Sapphire[®]



MODEL:
FM3313S | FM4413S | FM9913S

- 👉 安装 LED 灯具之前，请先拆除原有的灯座 (Socket)，然后再进行安装。
- 👉 Before installing the LED light Kit, please remove the existing socket first, then proceed with the installation.

MAINTENANCE

1. Periodic cleaning of your new ceiling fan is the only maintenance that is needed.
2. Use only a soft brush or lint free cloth to avoid scratching the finish.
3. Do not use solvents when cleaning your ceiling fan. It could damage the motor and create the possibility of electrical shock.
4. Abrasive cleaning agents are not required and should be avoided to prevent damage finish.

BALANCING FAN

Ceiling fans tend to move during operation due to the fact that they are not generally rigidly mounted. Please note that all ceiling fans are not the same, even in the same model, some may move more or less than others. Movement of a couple of centimeters is quite acceptable and does not suggest the fan will fall down.

Try the following to reduce the wobbling:

1. Check that all of the blade mounting screws are tight and secure.
2. A balancing kit has been provided to assist with reducing a wobble. Please retain the kit as it may become useful should the fan develop a wobble in the future. Instructions on how to use the balancing kit can be found within the kit.